



UNIKITCHEN

SPECIAL REFRIGERATED COUNTER
WITH SINK FOR SMALL ROOMS



ISO Climatic Class 4





This line has been designed as to complete the range of products for Bar and Pub, and maintain the main characteristic of the successful line UNIBAR, like for example the reduced depth of 540 mm which make this cabinet ideal for small rooms. In detail this line has something more comparing to the line Unibar, such as stainless steel working top with splash back or stainless steel work top with splash back and sink.

At first it was made only in stainless steel, but now it is available also in dark grey skinplate with stainless steel work top.



On demand it is also possible to supply you the model with sink made in dark grey skinplate always with stainless steel work top..



Sink dimension 290 (L) x 400 (P) x 200 (H) mm

All back bar counter provided with sink are supplied without tap (mixer) which is available as option. We'll drill the top only in the case you order the tap (mixer).

External structure and doors in grey skinplate on zinc-plated sheet or stainless steel Scotch Brite; internal tank in non-toxic white skinplate on zinc-plated sheet in case of exterior in dark grey skinplate and in stainless steel in case of exterior in stainless steel "scotch Brite" finishing touch.



Internal lighting is supplied as standard on all models:



Solid doors cabinets are provided with a door micro switch, to light on and off when opening or closing the door.



An internal adjustable shelf with hooks is supplied as standard for each door: embossed aluminium for cabinet with exterior in dark grey skinplate and stainless steel for cabinet with exterior in stainless steel.



All doors can be replaced with set of 2 or 3 drawers.

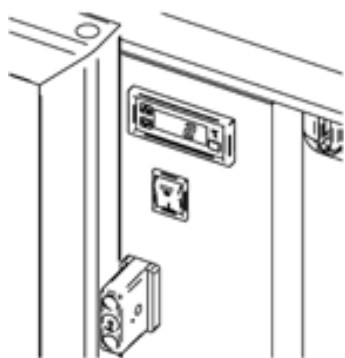
Set of drawers are provided with bearing guides in order to grant maximum of strength and reliability. This system allow you to extract completely the drawer making easier loading and unloading goods, and giving you also the possibility of inserting directly some types of beer boxes. The new set of drawers can be used replacing every kind of door, D, DM, DX.



New neutral drawer placed in the upper part of the motor unit space.

AVAILABLE ONLY FOR CABINETS WITHOUT SINK

This new drawer sliding on telescopic guides, can be very useful to store small things such as tea bags, sugar in sachets or simply some cutlery. Moreover it is available the coffee-grounds drawer, which is the same drawer in special configuration equipped for collecting coffee-grounds.

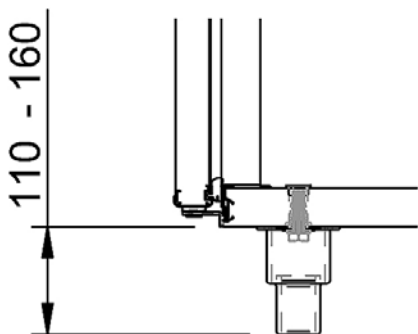


Secured products stored in the cabinet thanks to **key closing system** that you can easily install either on doors or drawers, also afterwards.

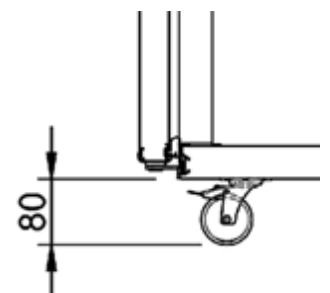
Self-closing hinges with 90° brake



To level the cabinet quickly and easily, now the feet, with aluminium base, are adjustable from the interior of the cabinet from 30 to 55 mm.



You can also replace standard foot with a big foot, but in this case you loose the possibility of levelling the cabinet from the interior of the cabinet....



... or you can replace standard feet with revolving wheels provided with brake.



CFC-free coolant.

The defrosting process is electronically controlled.



Voltage 230V/50Hz/1, electric equipment in compliance with EC standards.

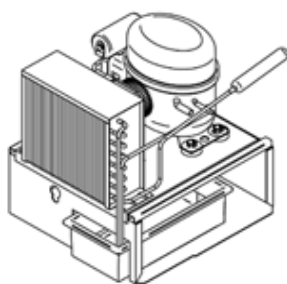
Special versions with 115V/60Hz/1 or 230V/60HZ/1 supply are available as optional.

New cover motor sheet with side opening similar to one door but with light narrow hinges. This system make easier entering the motor unit area for periodic cleaning operations of the condenser. Moreover we have moved the thermostat in the upper part of the motor unit area, where, thanks to a better protection and a humidity free area we can give a longer life to the thermostat.

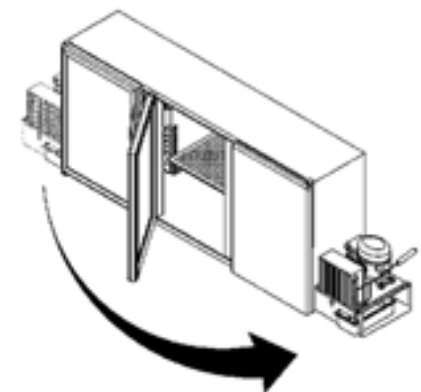


The condensing unit consists of a compressor and a ventilated condenser. The evaporator is located in the internal tank (behind the column) and it has a painting protection in compliance with the regulations in force. The evaporator is also equipped with two fans and a tank for defrosting water collection.

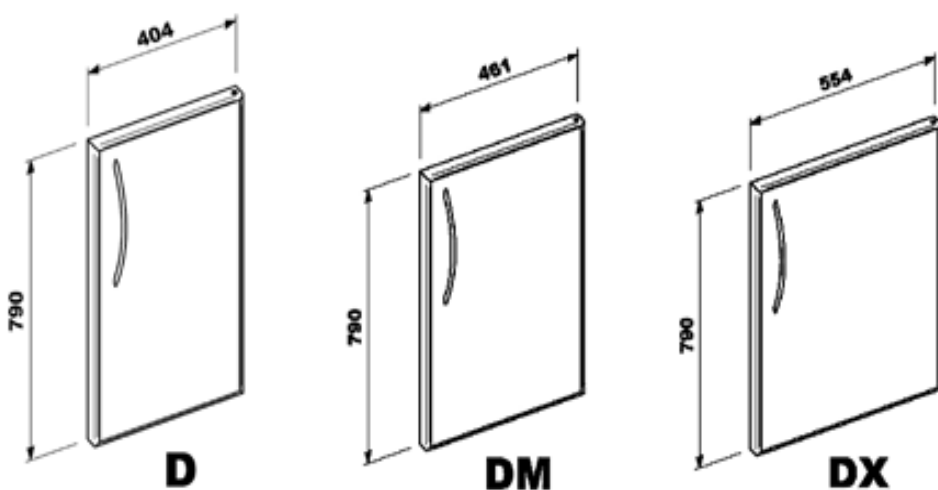
As option you can have a right hand condensing unit



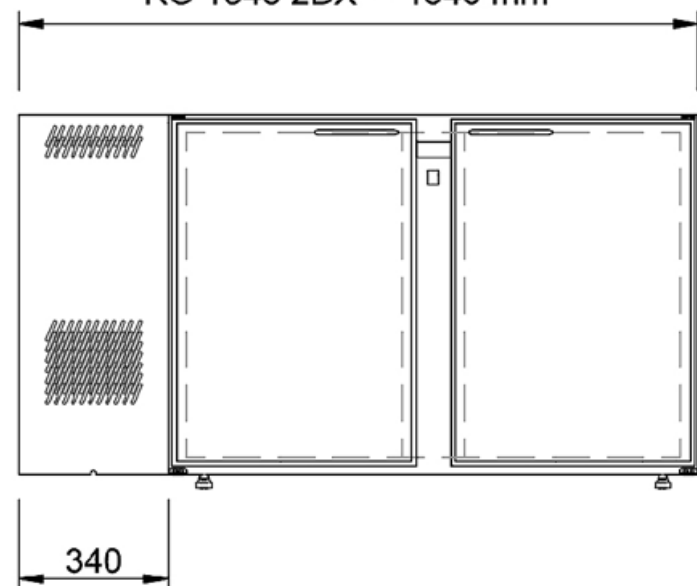
Remote condensing units to be used within the maximum distance of 10 meters, on all models without condensing unit.

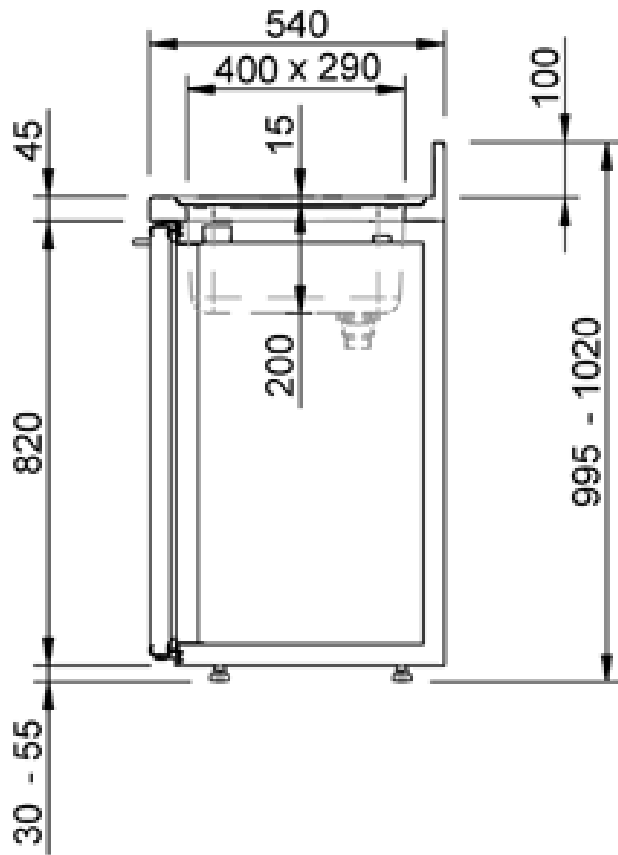


ISO Climatic Class 4 – tested for a good efficiency in rooms with ambient temperature up to +32°C



The total length of the cabinet is obtained by the name of the model, for example RO 1540 2DX = 1540 mm





All cabinets are: 540 mm deep and 850/875 mm high

- Cabinet height without feet is 820 mm
- Cabinet height with feet totally closed is 850 mm
- Cabinet height with feet totally open is 875 mm
- Models ROP 1240 / ROL 1240 / SGL 1240, ROP 1540 / ROL 1540 / SGL 1540, ROP 1740 / ROL 1740 / SGL 1740 are provided with n. 4 feet
- Models ROP 2140 / ROL 2140 / SGL 2140 are provided with n. 6 feet
- Models ROP 2740 / SGL 2740 are provided with n. 8 feet

DRAWERS

Set of 2 drawers **D** size

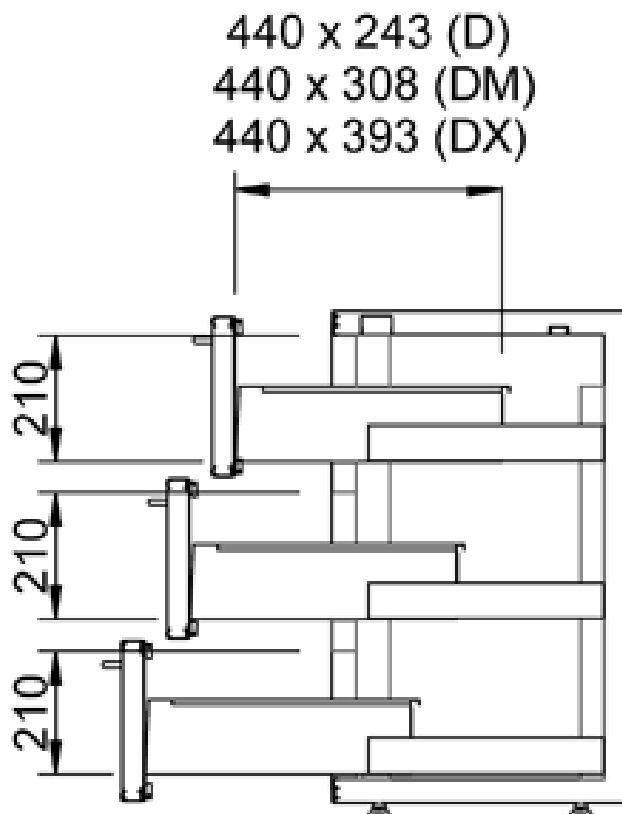
usable dimensions upper drawer 243 (W) × 440 (D) × 299 (H) mm

usable dimensions lower drawer 243 (W) × 440 (D) × 376 (H) mm

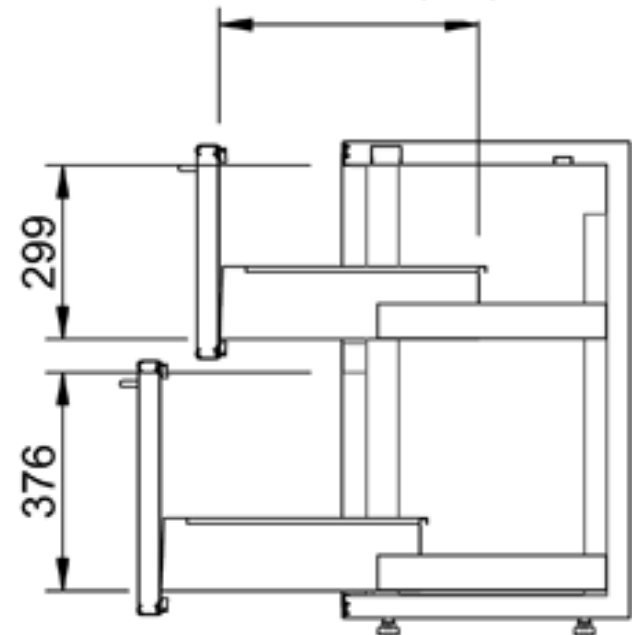
Set of 2 drawers **DX** size

usable dimensions upper drawer 393 (W) × 440 (D) × 299 (H) mm

usable dimensions lower drawer 393 (W) × 440 (D) × 376 (H) mm



440 x 243 (D)
440 x 308 (DM)
440 x 393 (DX)



Set of 3 drawers **D** size

usable dimensions of drawers 243 (W) × 440 (D) × 210 (H) mm

Set of 3 drawers **DX** size

usable dimensions of drawers 393 (W) × 440 (D) × 210 (H) mm

Our drawers are equipped with no. 2 bottle-holding rods.

LIST OF AVAILABLE MODELS WITH INCORPORATED CONDENSING UNIT :

ROP = with work top + splash back

ROL = with work top + splash back + sink

	MODEL	DIMENSIONS (L x P x H)
• 2 SMALL DOORS	ROP 1240 2D / ROL 1240 2D	1240x540x850/875 mm
• 2 LARGE DOORS	ROP 1540 2DX / ROL 1540 2DX	1540x540x850/875 mm
• 3 SMALL DOORS	ROP 1740 3D / ROL 1740 3D	1740x540x850/875 mm
• 3 MEDIUM DOORS	ROP 1880 3DM	1880x540x850/875 mm
• 3 LARGE DOORS	ROP 2140 3DX / ROL 2140 3DX	2140x540x850/875 mm
• 4 LARGE DOORS	ROP 2740 4DX / ROL 2740 4DX	2740x540x850/875 mm

LIST OF AVAILABLE MODELS WITH REMOTE CONDENSING UNIT:

SGL = Model with work top + splash back + sink

	MODEL	DIMENSIONS (L x P x H)
• 2 SMALL DOORS	SGL 1240 2D	1240x540x850/875 mm
• 2 LARGE DOORS	SGL 1540 2DX	1540x540x850/875 mm
• 3 SMALL DOORS	SGL 1740 3D	1740x540x850/875 mm
• 3 LARGE DOORS	SGL 2140 3DX	2140x540x850/875 mm
• 4 LARGE DOORS	SGL 2740 4DX	2740x540x850/875 mm

LIST OF OPTIONAL AVAILABLE FOR THIS LINE:

- ADDITIONAL PRICE FOR INVERSION OF CONDENSING UNIT - RIGHT SIDE
- SET OF ALUMINIUM SHELVES 1 PER DOOR (INCLUDING HOOKS)
- SET OF STAINLESS STEEL SHELVES 1 PER DOOR (INCLUDING HOOKS)
- HOOK
- KEY CLOSING FOR DOOR/DRAWER IN SKINPLATE
- KEY CLOSING FOR DOOR/DRAWER IN STAINLESS STEEL
- ADDITIONAL PRICE FOR SET OF 2 DRAWERS IN SKINPLATE including 2 steel partitions for each drawer
- ADDITIONAL PRICE FOR SET OF 2 DRAWERS IN STAINLESS STEEL including 2 steel partitions for each drawer
- ADDITIONAL PRICE FOR SET OF 3 DRAWERS IN SKINPLATE including 2 steel partitions for each drawer
- ADDITIONAL PRICE FOR SET OF 3 DRAWERS IN STAINLESS STEEL including 2 steel partitions for each drawer
- KIT PROTECTION BORDERS FOR DRAWERS 75 mm HEIGHT
- KIT NEUTRAL DRAWER IN THE UPPER PART OF MOTOR UNIT SPACE - SKINPLATE
- KIT NEUTRAL DRAWER IN THE UPPER PART OF MOTOR UNIT SPACE - STAINLESS STEEL
- KIT COFFE-GROUNDS DRAWER - SKINPLATE
- KIT COFFE-GROUNDS DRAWER - STAINLESS STEEL
- ADDITIONAL PRICE FOR KIT WORK TOP IN STAINLESS STEEL
- KIT REVOLVING WHEEL WITT BRAKE 80 mm
- BIG FOOT 110-160 mm
- STICKER FOR SOLID DOOR CUSTOMIZATION

HERE ARE SOME EXAMPLES OF CUSTOMIZATION

