



UNIBAR *Mini*

*The new refrigerated under counter
made in Unifrigor*



ISO Climatic Class 4

The line UNIBAR Mini is an interesting extension of our range of refrigerated back bar/under counters for Bars.



More than our traditional range of refrigerated back bar/under counters (line Unibar) it is now available this new line of refrigerated under counters specially studied to be built in the furniture of the front bench, having special reduced dimensions but always the same quality features of Unifrigor production. Using this new line in the front bench finally you can have a unique and uniform shape in your refrigerated back bar counters and your under bench counters. As usual you can have either the version in dark grey skinplate outside, with door profile in aluminium colour and interior in white skinplate or the version completely, externally and internally in Stainless steel AISI 304 "scotch Brite" finishing touch.



If you are used to another type of aesthetics, there is no problem. This type of cabinet has been designed to be able to accept also doors and drawers made by Ronda, that you can order by us as option.



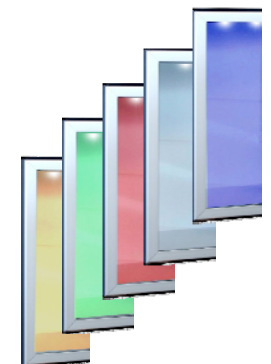
Using drawers, available either in typical Unifrigor version or in Ronda version you can improve quality and efficiency of barman's job with quick and easy movements.

All models with solid doors are provided with standard bulb lighting system. Using a micro-switch, the light is switched on when you open the door and switched off when you close it. On glass door cabinet you have the neon tube lighting system using switch on/off button.



Glass doors are provided with tempered low emission glass pane in order to grant either a very good display of the product you are storing in your refrigerator and a good quality of cold inside the tank (low emission glass pane) or maximum of protection against accidents (tempered glass pane).

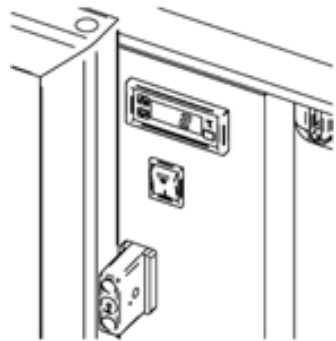
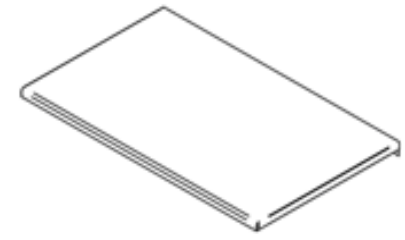
Who wants the ultimate lighting technology can also order as option the new LED lightning system granting an excellent internal lighting, an almost negligible production of heat inside the tank (cold light), an average duration 6 times more than the neon tube system and last but not least a substantial energy saving. If you want to customize even more your cabinet you can also order the **LED RGB** lighting system, available as option. Using a remote control you can change the colours and modify the intensity of the light. You can also program a continuous change of colours for a young, dynamic and charming atmosphere.



As standard supply you have one adjustable shelf per door. The shelves are in embossed aluminium on cabinet with exterior in dark grey skinplate while they are in stainless steel on cabinet with exterior in stainless steel.



Even if ideal to be built in, considering the reduced dimensions, expressly designed for this use, nothing prevent you from using it stand alone, adding a stainless steel work Top reinforced with wood, 27 mm thick. Available as option the work Top is very useful in order to place any kind of object on the upper part of the refrigerator, also a heavy one.



Your product will be always secured in the cabinet thanks to the possibility of adding a key closing system either on doors or drawers.

Easy to install this lock system can be installed also afterwards.

The door is equipped with self closing hinge braked at 90° to grant always the maximum quality of cold inside and to make easier loading and unloading the product inside the refrigerated cabinet.



CFC-free coolant

The defrosting process is electronically controlled.

Voltage 230V/50Hz/1, electric equipment in compliance with EC standards.

Specials versions with 115V/60Hz/1 or 230V/60HZ/1 supply are available as option

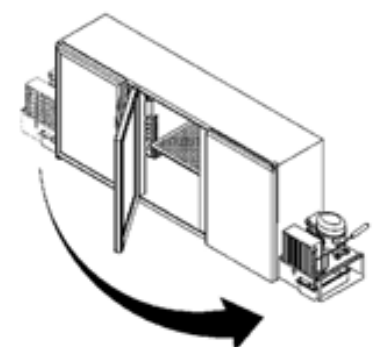


The condensing unit consists of a compressor and a ventilated condenser. The evaporator is located in the internal tank (behind the column) and it has a painting protection in compliance with the regulations in force. The evaporator is also equipped with two fans and a tank for defrosting water collection.



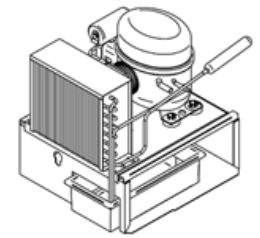
New cover motor sheet with side opening similar to one door but with light narrow hinges. This system make easier entering the motor unit area for periodic cleaning operations of the condenser. Moreover we have moved the thermostat in the upper part of the motor unit area, where, thanks to a better protection and a humidity free area we can give a longer life to the thermostat.

Also this line is available in double version either with incorporated condensing unit or with remote condensing unit. In case of incorporated condensing unit the standard position is on the left hand side of the cabinet, but, as option, it is possible to have the condensing unit on the right hand side.



ISO Climatic Class 4 – tested for a good efficiency in rooms with ambient temperature up to +32°C

As option you may also order the remote condensing unit to be used within 10 m from the position of the refrigerated cabinet, models SGS.



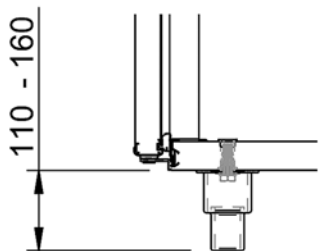
NEW



NEW NON REFRIGERATED STORAGE CABINET

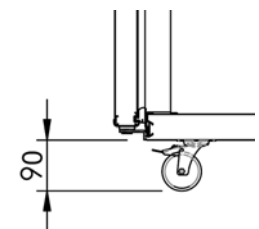
In order to satisfy always better the needs to make a complete furnishing we have introduced in our catalogue the non refrigerated storage cabinet, with the same classic Unifrigor aesthetics. So you gain space inside thanks to the elimination of the evaporator and you will have a (neutral) non refrigerated cabinet ready to be integrated in your furnishing, side by side with the refrigerated.

To make easier installing and levelling the cabinet, especially in the case it is built in the furniture, the feet, with aluminium base, are adjustable from the interior of the cabinet from 30 to 55 mm.



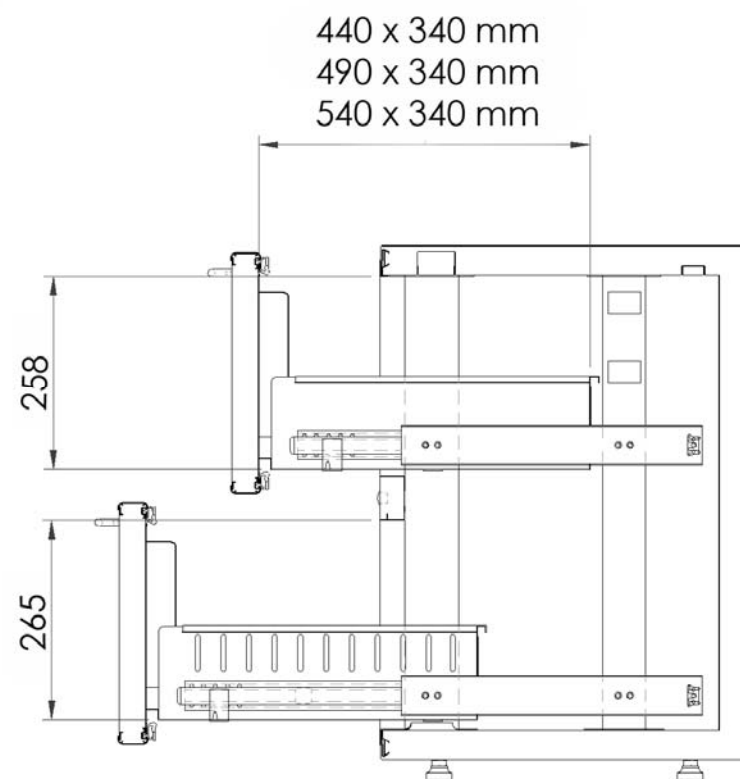
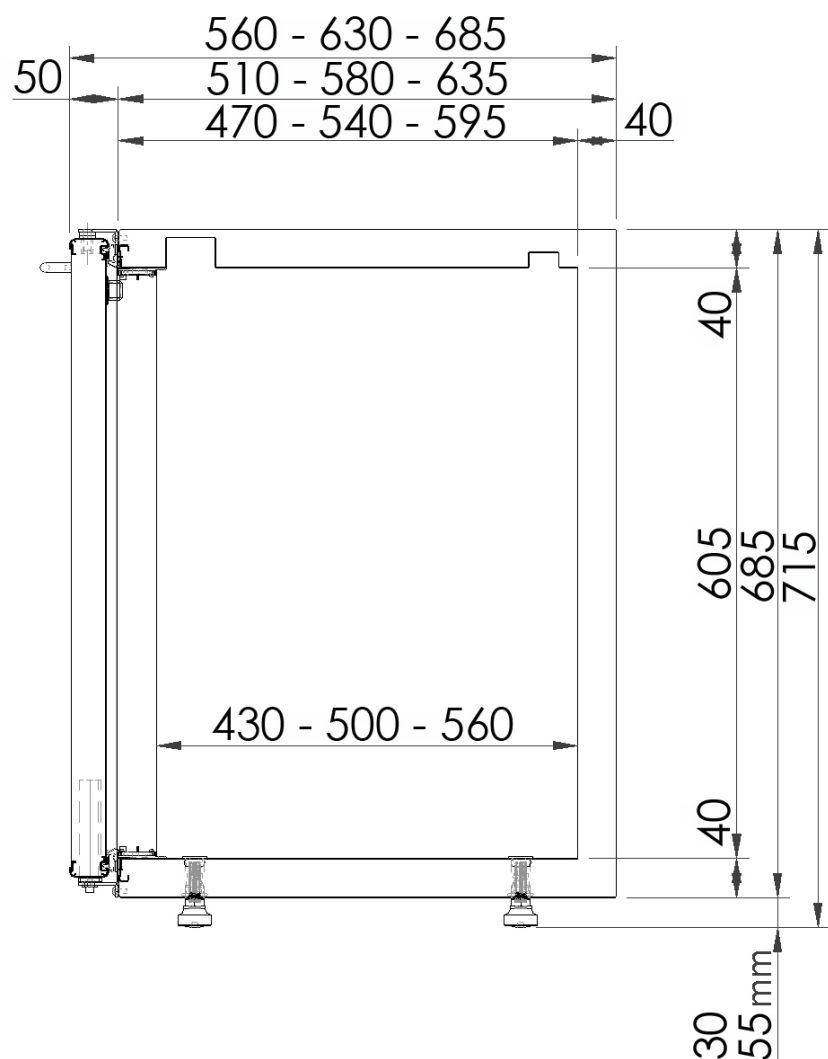
You can also replace the standard foot with a big foot, but in this case you lose the possibility of levelling the cabinet from the interior of the cabinet....

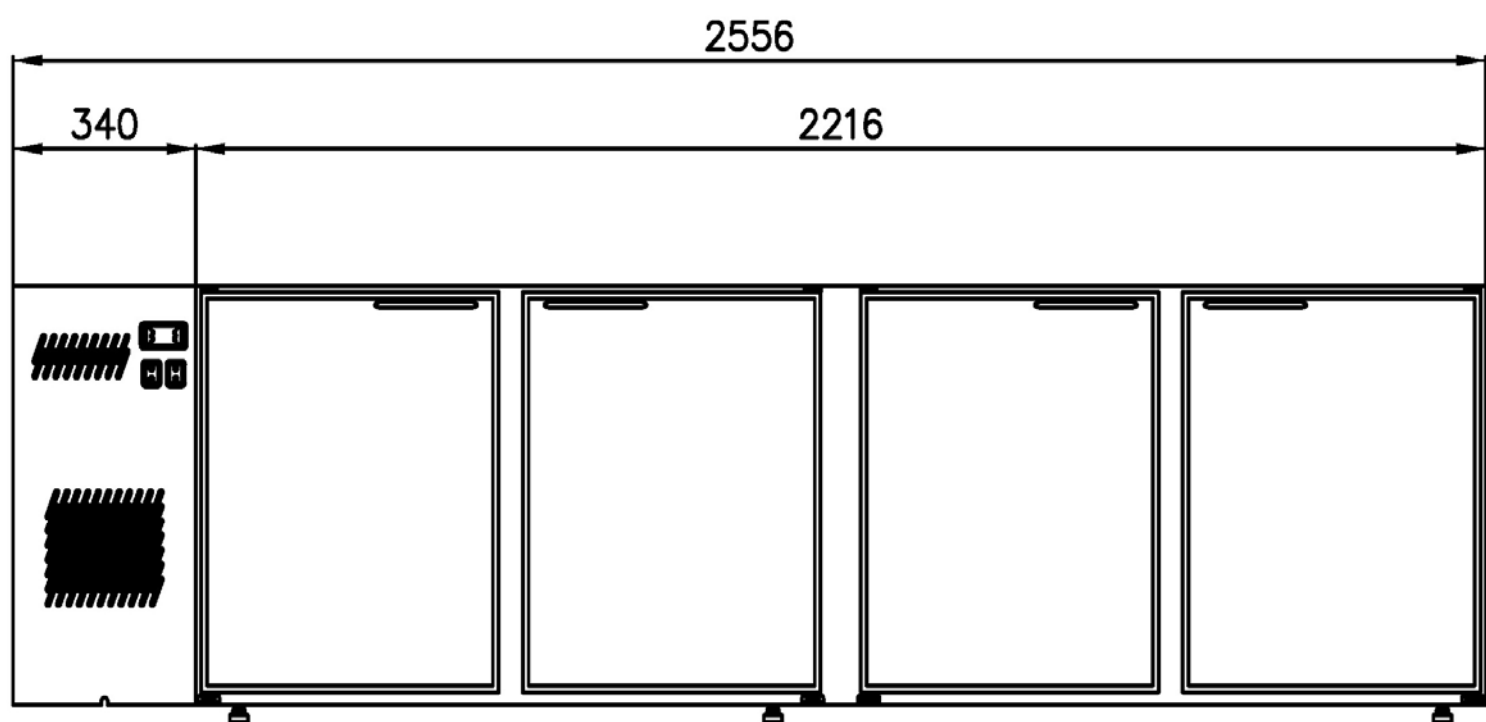
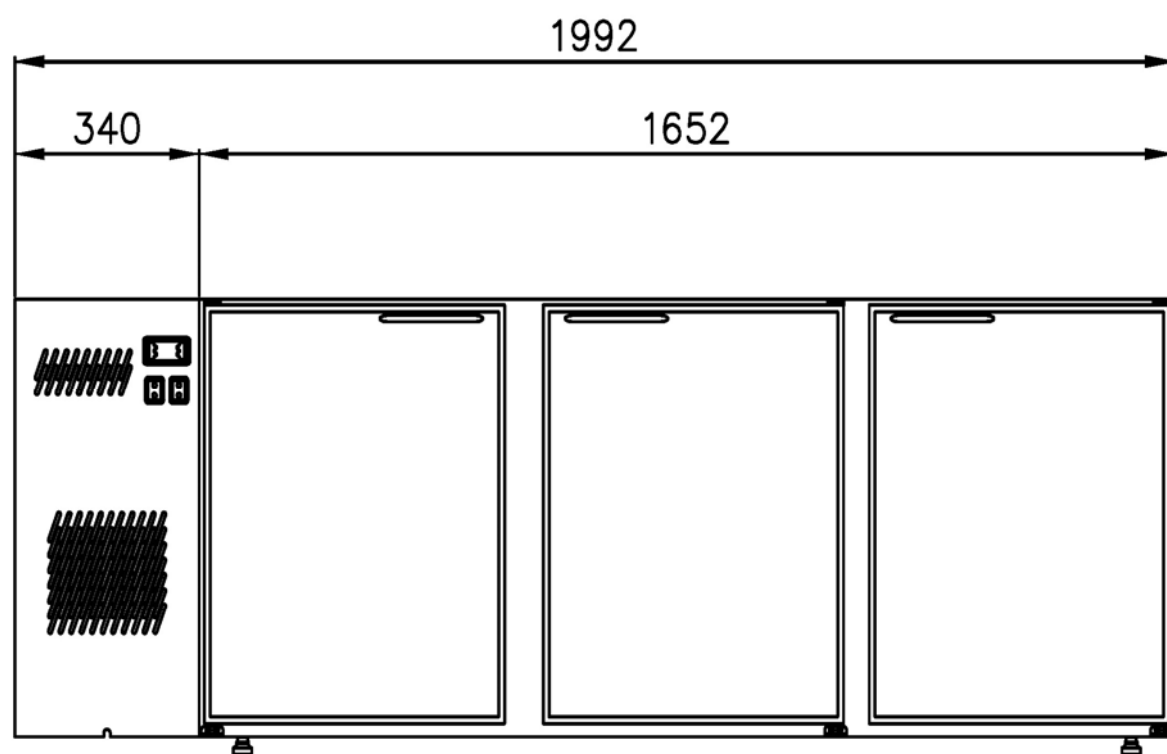
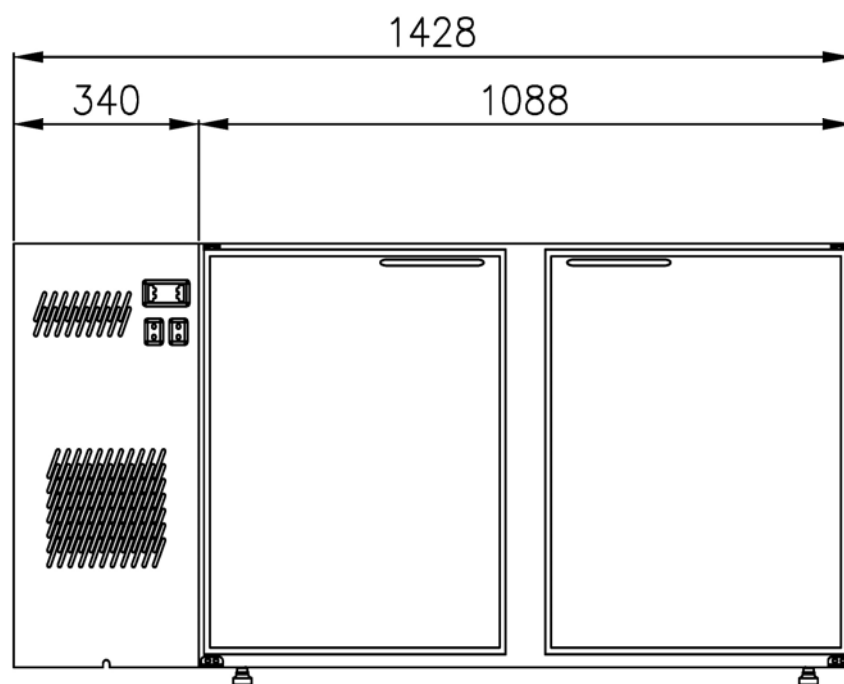
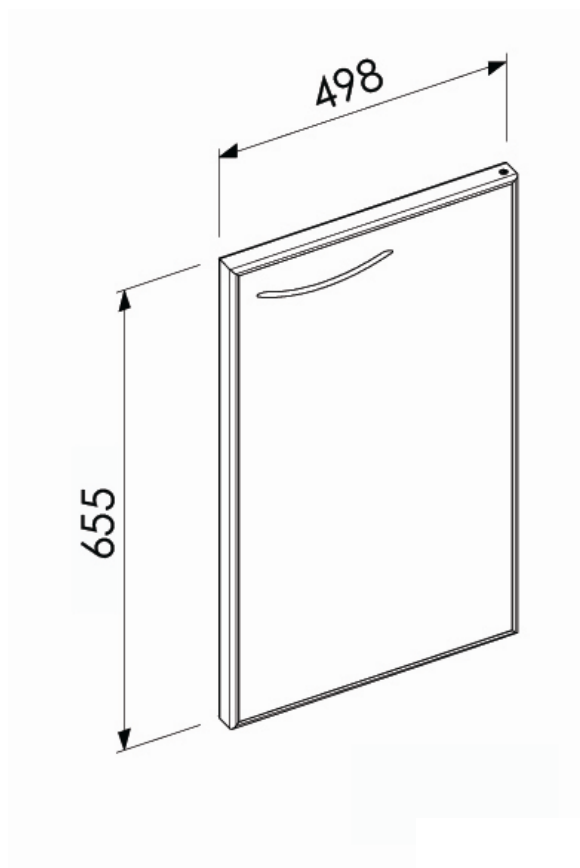
... or you can replace the standard foot with revolving wheels provided with brake.



Cabinets are available in 3 different depths to satisfy all needs:
560 mm – 630 mm – 685 mm and
the height is always 715/740 mm.

- Cabinet height without feet is 685 mm
- Cabinet height with feet totally closed is 715 mm
- Cabinet height with feet totally open is 740 mm
- Models ROS 1430 / SGS 1090 are equipped with n. 4 feet
- Models ROS 1995 / SGS 1655 are equipped with n. 6 feet
- Models ROS 2560 / SGS 2220 are equipped with n. 8 feet





LIST OF AVAILABLE MODELS WITH INCORPORATED CONDENSING UNIT :

Depth 560 mm	MODEL	DIMENSIONS (L x P x H)
• 2 DOORS	ROS 1430 2DDM	1428x560x715/740 mm
• 3 DOORS	ROS 1995 3DDM	1992x560x715/740 mm
• 4 DOORS	ROS 2560 4DDM	2556x560x715/740 mm
Depth 630 mm		
• 2 DOORS	ROS/M 1430 2DDM	1428x630x715/740 mm
• 3 DOORS	ROS/M 1995 3DDM	1992x630x715/740 mm
• 4 DOORS	ROS/M 2560 4DDM	2556x630x715/740 mm
Depth 685 mm		
• 2 DOORS	ROS/X 1430 2DDM	1428x685x715/740 mm
• 3 DOORS	ROS/X 1995 3DDM	1992x685x715/740 mm
• 4 DOORS	ROS/X 2560 4DDM	2556x685x715/740 mm

LIST OF AVAILABLE MODELS WITH REMOTE CONDENSING UNIT:

Depth 560 mm		
• 2 DOORS	SGS 1090 2DDM / NES 1090 2DDM	1088x560x715/740 mm
• 3 DOORS	SGS 1655 3DDM / NES 1655 3DDM	1652x560x715/740 mm
• 4 DOORS	SGS 2220 4DDM / NES 2220 4DDM	2216x560x715/740 mm
Depth 630 mm		
• 2 DOORS	SGS/M 1090 2DDM / NES/M 1090 2DDM	1088x630x715/740 mm
• 3 DOORS	SGS/M 1655 3DDM / NES/M 1655 3DDM	1652x630x715/740 mm
• 4 DOORS	SGS/M 2220 4DDM / NES/M 2220 4DDM	2216x630x715/740 mm
Depth 685 mm		
• 2 DOORS	SGS/X 1090 2DDM / NES/X 1090 2DDM	1088x685x715/740 mm
• 3 DOORS	SGS/X 1655 3DDM / NES/X 1655 3DDM	1652x685x715/740 mm
• 4 DOORS	SGS/X 2220 4DDM / NES/X 2220 4DDM	2216x685x715/740 mm

LIST OF OPTIONAL AVAILABLE FOR THIS LINE:

- ADDITIONAL PRICE FOR INVERSION OF CONDENSING UNIT - RIGHT SIDE
- SET OF ALUMINIUM SHELVES 1 PER DOOR (INCLUDING HOOKS)
- SET OF STAINLESS STEEL SHELVES 1 PER DOOR (INCLUDING HOOKS)
- HOOK
- KEY CLOSING FOR DOOR/DRAWER
- ADDITIONAL PRICE FOR SET OF 2 GLASS DRAWERS including 2 steel partitions for each drawer
- KIT PROTECTION BORDERS FOR DRAWERS 75 mm HEIGHT
- KIT NEUTRAL DRAWER IN THE UPPER PART OF MOTOR UNIT SPACE
- KIT COFFE-GROUNDS DRAWER
- ADDITIONAL PRICE FOR COLORED LIGHTING SYSTEM
- ADDITIONAL PRICE FOR RGB LED LIGHTING DOOR/DRAWERS
- KIT REMOTE CONTROL + RECEIVER FOR RGB LED LIGHTING
- ADDITIONAL PRICE FOR KIT WORK TOP IN STAINLESS STEEL
- KIT REVOLVING WHEEL WITT BRAKE 80 mm
- BIG FOOT 110-160 mm
- STICKER FOR SOLID DOOR CUSTOMIZATION

